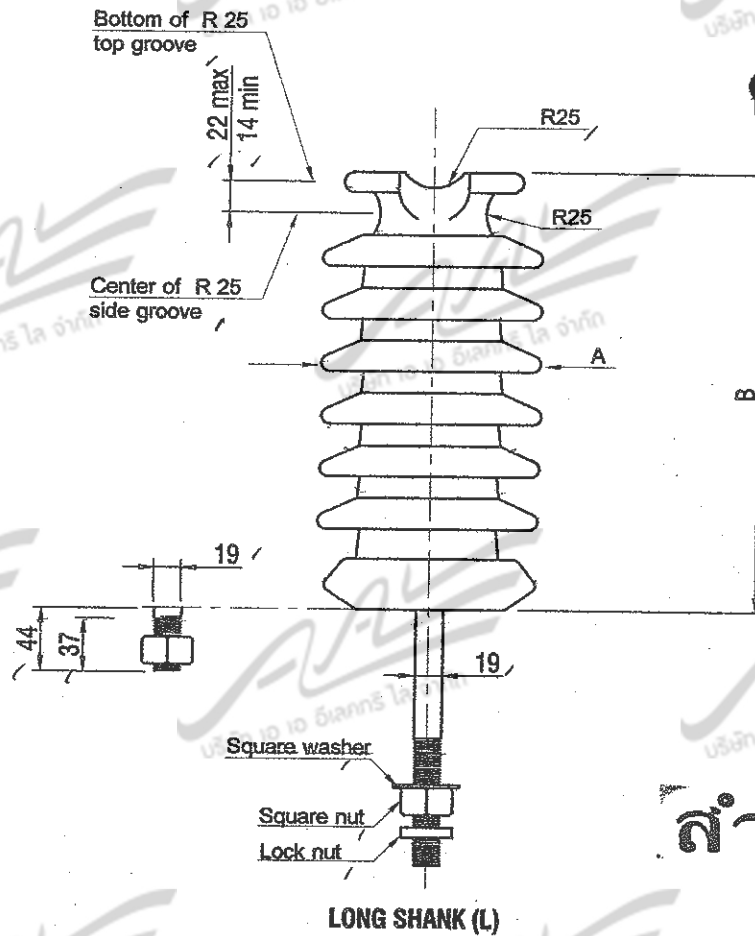


# 1030010002 ลูกถ้วยไลน์โพลท์ 22 kv ( แบบ 57-2 )

## ต้นฉบับ



## สำเนา

No.	Product Code ( PEA Mat. No.)	Product Type/Size	Dimension in mm				
			Leakage distance, minimum	Protected leakage distance, minimum	Dry-arcing distance ,minimum	A	B
1	1030010002	Line post Insulator (57-2)	559	224	241	152	305

<b>MECHANICAL VALUES</b>	Gantilever strength	12.5	kN
	Gantilever proof load	5	kN
<b>ELECTRICAL VALUES</b>	Low-frequency dry flashover	110	kV
	Low-frequency wet flashover	85	kV
	Critical-impluse flashover, positive	180	kV
	Critical-impluse flashover, negative	205	kV
<b>RADIO-INFLUENCE VOLTAGE DATA</b>	Low-frequency test voltage, rms to ground	22	kV
	Maximum RIV at 1,000 kHz ,Radio freed.	100	µV
<b>COLOUR OF INSULATOR</b>	BROWN		

Tolerance ±5%

PEA Material No. 1030010002			
PEA Specification No. R-752/2543			
Rev.0 Jan,13,2015	Scale NTS	Dimension mm.	Sheet 1 / 1
Material		See on drawing	
Revision		DWG No. 1030010002-01-S-00-01	

Draft by

Approve by

A A ELECTRI LI CO.,LTD.  
88 Moo5, Lumpo, Bangbuatong  
Nonthaburi, Thailand, 11110  
02 158 4576 - 7  
www.aal2008.com

Line post Insulator 22 KV  
(Class 57-2) - TIS 1077

ลูกถ้วยไลน์โพลท์ 22 KV  
(แบบ 57-2) มอก.1077