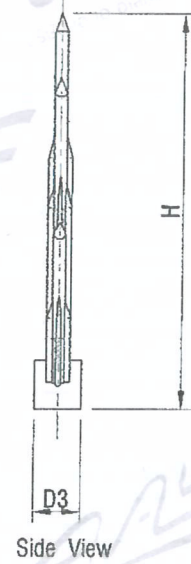
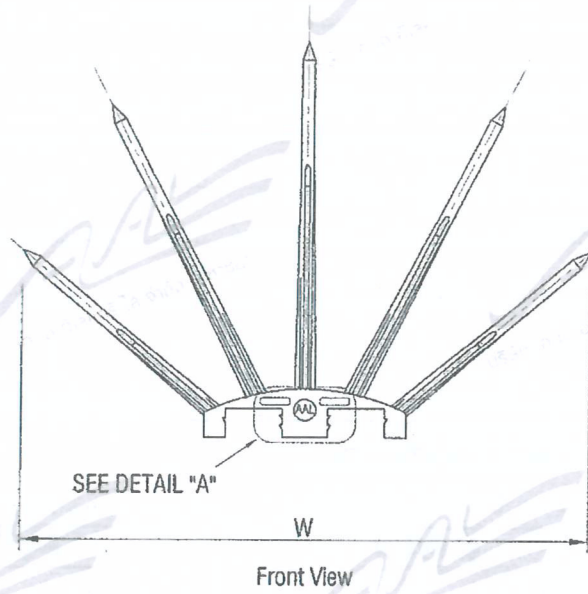
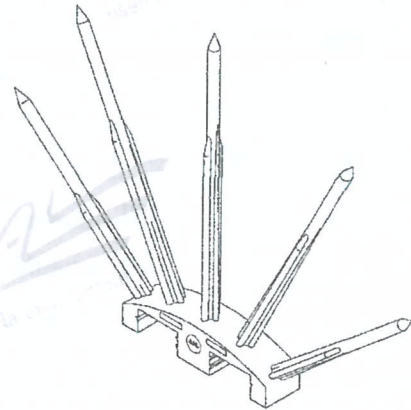
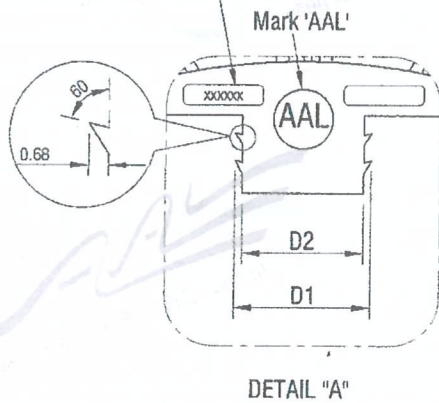


614525610000 Bird Spike Unit



DDMMYY of Manufacturing



DIMENSIONS (mm)	D1	D2	D3	W	H
	12.88	See note	12.77	Not less than	Not less than
	To		To	166	107
	13.71		13.24		

สำเนา

ต้นฉบับ

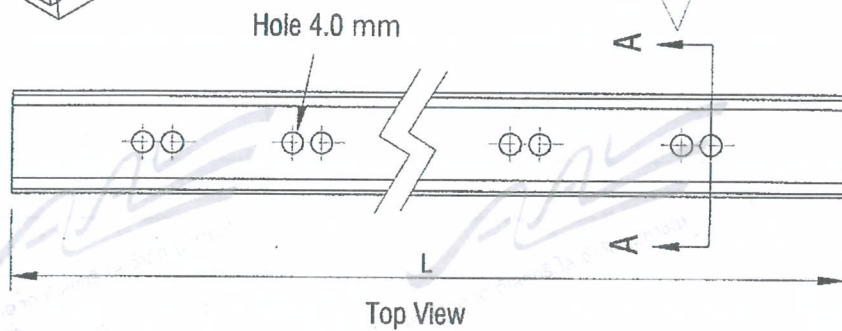
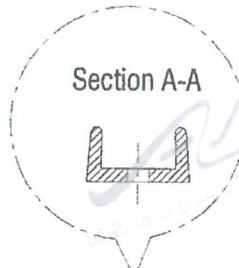
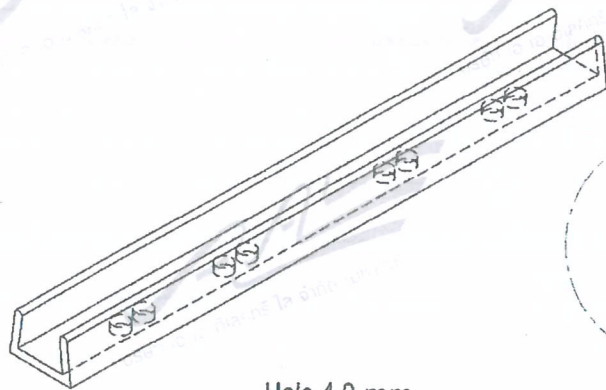
Tolerance $\pm 5\%$

Note : 1. D2 shall be shorter than D1 at least 0.68 mm

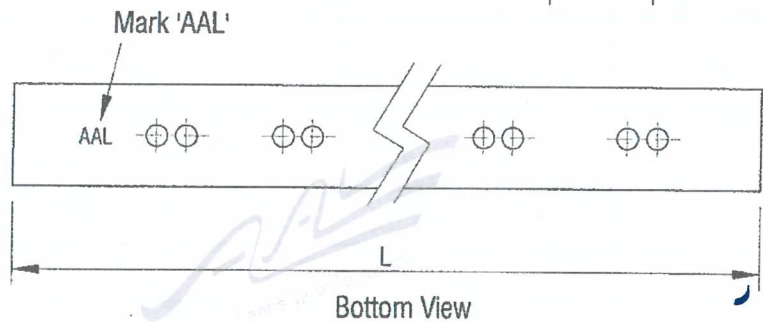
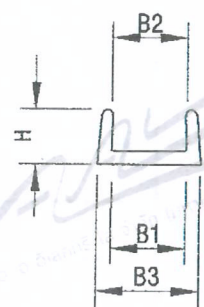
MEA Material No. 614525610000
MEA Specification No. 884:03-2016
MEA Drawing No. 130410

Draft by Check by Approve by	A A ELECTRI LI CO.,LTD. 95 Moo5, Lumpo, Bangbuatong Nonthaburi, Thailand,11110 02 158 4576 - 7 www.aal2008.com	Title Bird Spike Unit Project 6145-256-10000 Bird Spike Unit For MEA	Rev.0 Feb.01.2017 Scale NTS Dimension mm. Sheet 1 / 1 Material Plastic-PC DWG No. 614525610000-S-00-01 Revision
------------------------------------	--	--	--

614525611500 Base Rail Unit



Front View



DIMENSIONS (mm)	B1	B2	B3	H	L
	See note	11.66 To 12.50	18.14 To 19.15	Not less than 10.45	Not less than 1200

สำเนา

ต้นฉบับ

Tolerance ±5%

Note : 1. B1 shall be more than B2 at least 0.68 mm

MEA Material No. 614525611500
MEA Specification No. 864:03-2016
MEA Drawing No. 130410

Draft by นายณัฐ วัฒนวิชัย	A A ELECTRIC CO., LTD. 95 Moo5, Lumpo, Bangbuatong Nonthaburi, Thailand, 11110 02 158 4576 - 7 www.aal2008.com	Title Base Rail Unit	Rev.0 Feb.01,2017	Scale NTS	Dimension mm.	Sheet 1 / 1
			Check by 	Project 6145-256-11500 Base Rail Unit For MEA	Material Plastic	DWG No. 614525611500-S-00-01
Approve by 			Revision			